



FSC-BW112D

Revision	V1.2		
Date	2020-09-01		
Model Name	FSC-BW112D		
Product Name	IEEE 802.11b/g/n (1T1R) WIFI +Bluetooth 2.1/4.2		
Feasycom Approve Field			
Engineer	QC	Sales	
Customer Approve Field			
Engineer	QC	Manufactory	Purchasing

Contact Us

Shenzhen Feasycom Technology Co.,LTD

Email: sales@feasycom.com



Table of Contents

Revision History.....	1
1. Introduction.....	1
1.1 General Description.....	1
1.2 Features.....	1
1.3 Applications.....	2
2. Functional Block Diagram.....	2
3. Product Technical Specifications.....	2
3.1 General Specifications.....	2
3.2 DC Power Consumption.....	3
3.3 RF Specifications.....	4
4. Pin Assignments.....	5
5. Peripheral Schematic Reference Design.....	6
6. Mechanical Specifications.....	7
7. Others.....	8
7.1 Package Information.....	8
7.2 Storage Temperature and Humidity.....	8
7.3 Reliability test and results	9
8. Typical Solder Reflow Profile.....	9

Shenzhen Feasycom Technology Co., Ltd
 FEASYCOM



Revision History

Date	Document Revision	Product Revision	Description
2018/05/25	1.0	V1.0	Initial released

1. Introduction

1.1 General Description

FSC-BW112D is a highly integrated single-chip 802.11n Wireless LAN (WLAN) USB2.0 Multi-Function network interface controller with integrated Bluetooth 2.1//4.2 controller. It combines a WLAN MAC, a 1T1R capable WLAN baseband, and RF in s single chip. The RTL8723DU provides a complete solution for a high-performance integrated wireless and Bluetooth device. The integration provides better coordination between 802.11 and Bluetooth, and with sophisticated dynamic power control and packet traffic arbitration, RTL8723DU is able to provide the best coexistence performance Overview.

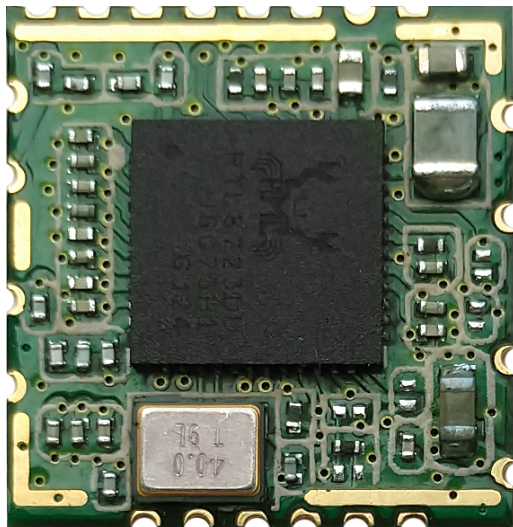


Figure 1 Top View

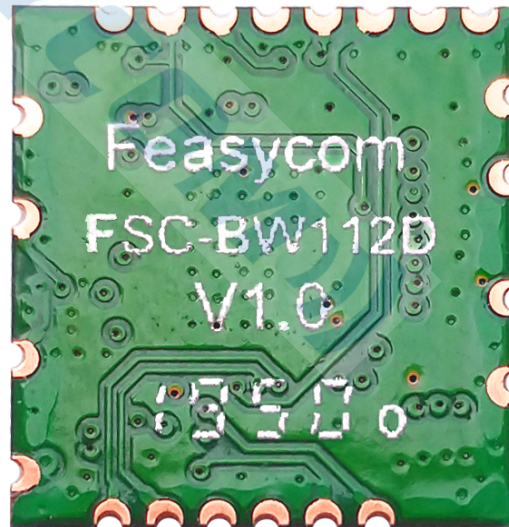


Figure 2 Bottom View

1.2 Features

- Operating Frequencies : 2.4~2.4835GHz
- Host Interface is USB, complies with USB 2.0
- IEEE Standards : IEEE 802.11b/g/n
- Wireless data rate can reach up to 150Mbps
- Bluetooth controller complies with Bluetooth core specification V4.2
- Connect to the external antenna through the half hole
- Power Supply: 3.3V \pm 0.2V

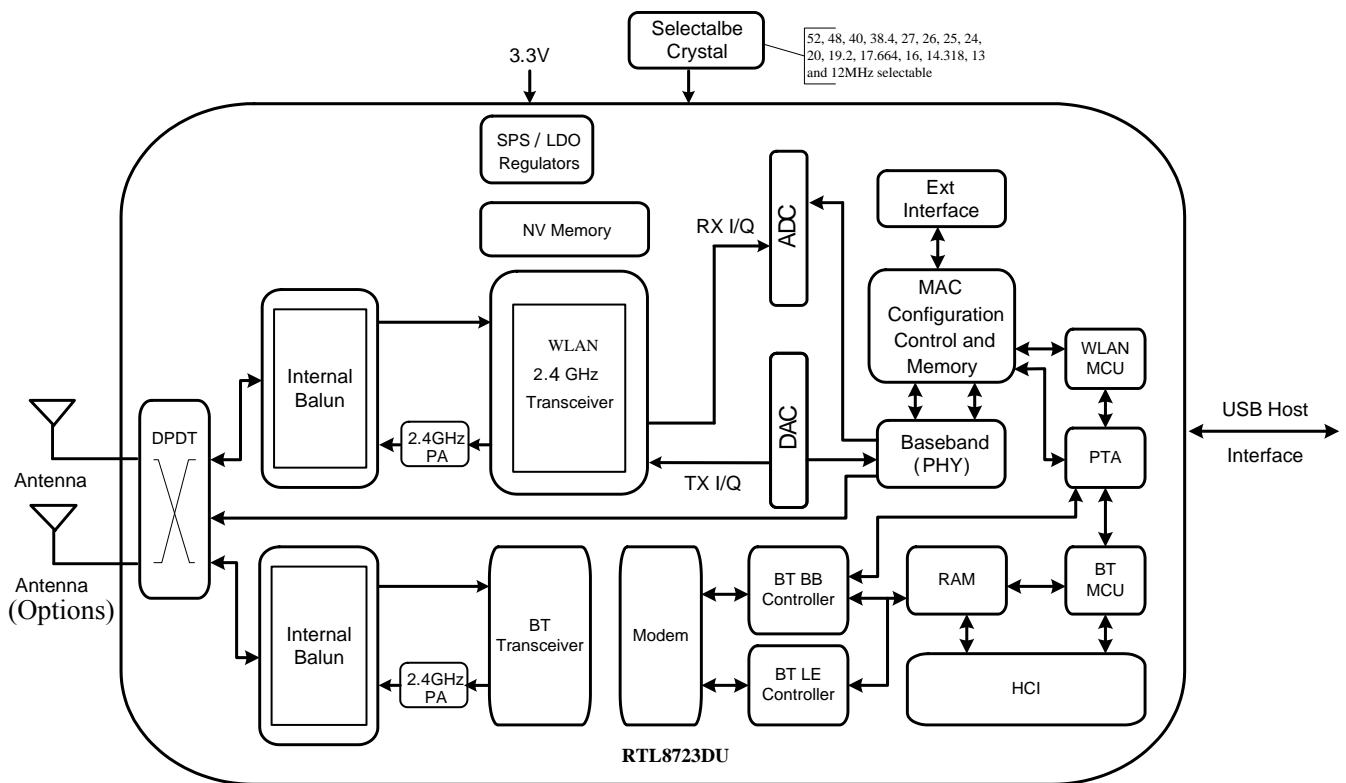


1.3 Applications

- MID
- IP Camera
- STB
- Smart TV
- E-book
- Other devices which need to be supported by wireless network

2. Functional Block Diagram

Single-Band 11n (1x1) Solution with Integrated Bluetooth Controller with Antenna Diversity



Single-Band 11n (1x1) and Integrated Bluetooth Controller Solution with Antenna Diversity

Figure 3 RTL8723DU block diagram

3. Product Technical Specifications

3.1 General Specifications

Item	Description
------	-------------



Product Name	FSC-BW112D
Main Chip	RTL8723DU-CG
Host Interface	USB2.0
IEEE Standards	IEEE 802.11b/g/n B T: Compatible with Bluetooth v2.1,v4.2 Systems
Operating Frequencies	2.4GHz~2.4835GHz
Modulation	WiFi: 802.11b: CCK, DQPSK, DBPSK 802.11g: 64-QAM,16-QAM, QPSK, BPSK 802.11n: 64-QAM,16-QAM, QPSK, BPSK B T: 8DPSK, $\pi/4$ DQPSK, GFSK
Working Mode	Infrastructure, Ad-Hoc
Wireless Data Rate	WiFi: 802.11b: 1, 2, 5.5, 11 802.11g: 6, 9, 12, 18, 24, 36, 48, 54 802.11n: MCS0~7, HT20 reach up to 72.2Mbps, HT40 reach up to 150Mbps B T: 1 Mbps for Basic Rate 2, 3 Mbps for Enhanced Data Rate
Rx Sensitivity	WiFi: -94dBm (Min) BT: -89dBm (Min)
TX Power	WiFi: 18dBm (Max) BT: 6.5dBm (Max)
Antenna Type	Connect to the external antenna through the half hole
Dimension(L*W*H)	12.2mm*12.9mm*1.8mm (L*W*H) , Tolerance: ± 0.15 mm
Power Supply	3.3V \pm 0.2V
Power Consumption	Standby 80mA@3.3V (Max) TX mode 330mA@3.3V (Max)
Clock Source	40MHz
Working Temperature	$^{\circ}$ C to +70 $^{\circ}$ C
Storage Temperature	-40 $^{\circ}$ C to +85 $^{\circ}$ C

ESD CAUTION: Although this module is designed to be as robust as possible, Electrostatic Discharge (ESD) can damage this module. It must be protected from ESD at all times and handled under the protection of ESD.

3.2 DC Power Consumption

Vcc=3.3V, Ta = 25 $^{\circ}$ C, unit: mA		
Supply current	Typ.	Max
Standby (RF disabled)	75	80



802.11b	1Mbps		11Mbps	
Supply current	Typ.	Max.	Typ.	Max.
TX mode	320	330	285	300
Rx mode	89	90	90	92
802.11g	6Mbps		54Mbps	
Supply current	Typ.	Max.	Typ.	Max.
TX mode	260	270	190	205
Rx mode	89	90	92	95
802.11n HT20	MCS0		MCS7	
Supply current	Typ.	Max.	Typ.	Max.
TX mode	250	260	185	200
Rx mode	89	91	92	96
802.11n HT40	MCS0		MCS7	
Supply current	Typ.	Max.	Typ.	Max.
TX mode	240	250	180	190
Rx mode	90	92	95	99

3.3 RF Specifications

TX Power	802.11b: 17 ± 1.5 dBm 802.11g: 14 ± 1.5 dBm 802.11n-HT20/HT40: 14 ± 1.5 dBm BT: 10dBm (Max) -3 (Min)
TX Constellation Error(EVM)	802.11b: < -20 dB@11Mbps 802.11g: < -28 dB@54Mbps 802.11n-HT20: < -28 dB@72.2Mbps 802.11n-HT40: < -28 dB@150Mbps
Receiver Minimum Input Sensitivity@PER	1Mbps: -92dBm@PER<8%; 11Mbps: -85dBm@PER<8%; 54Mbps: -72dBm@PER<10%; 150Mbps: -66dBm@PER<10%; BT: -89dBm@1Mbps -85dBm@2Mbps -83dBm@3Mbps

RF performance parameter

Mode	Rate(Mbps)	Power(dBm)			EVM(dB)			Sensitivity(dBm)		
		CH1	CH7	CH13	CH1	CH7	CH13	CH1	CH7	CH13
11b	1	17.67	17.68	17.60	-33.46	-33.28	-33.03	-94	-94	-94
	11	17.62	17.74	17.73	-30.07	-28.72	28.66	-87	-87	-87
11g	6	14.48	14.58	14.45	-32.99	-30.85	-32.49	-90	-90	-90
	54	14.81	14.82	14.67	-33.21	-32.71	-32.76	-74	-74	-74
11n	MCS0	14.77	14.88	14.29	-29.36	-28.26	-30.83	-90	-90	-90

HT20	MCS7	14.98	14.74	14.68	-33.09	-31.11	-32.51	-70	-70	-70
Mode	Rate(Mbps)	Power(dBm)			EVM(dB)			Sensitivity(dBm)		
		CH3	CH7	CH11	CH3	CH7	CH11	CH3	CH7	CH11
11n	MCS0	14.35	14.47	14.32	-32.09	-31.16	-31.00	-88	-88	-88
HT40	MCS7	14.71	14.66	14.60	-32.53	-30.65	-31.45	-68	-68	-68
		Avg.Power(dBm)			DEVm Avg(%)			Omega-i(kHZ)		
	channel(MHZ)	CH0	CH40	CH78	CH0	CH40	CH78	CH0	CH40	CH78
1M	1DH1	6.49	6.45	6.20	/	/	/	-4.16	-3.31	-4.97
2M	2DH3	5.67	5.46	5.11	4.43	4.82	4.75	-3.54	-4.23	-4.12
3M	3DH5	5.65	5.37	5.21	4.96	5.24	4.96	-3.49	-3.64	-3.44

4. Pin Assignments



Figure 4 Pin Assignments (Top view)

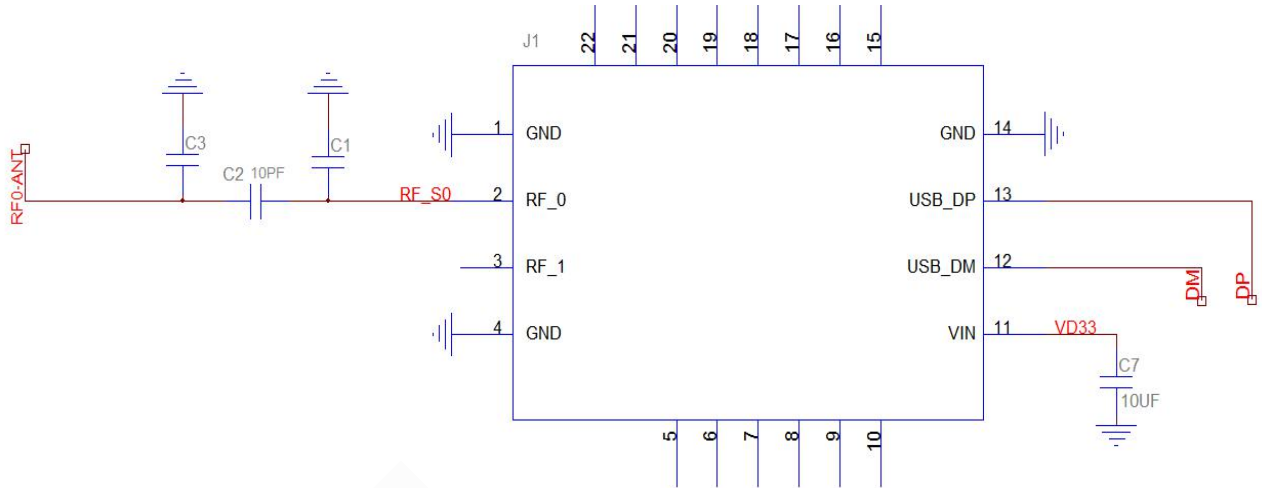
Pin No.	Pin Name	Description
1	GND	Grond
2	RF-S0	WLAN/BT RF TX/RX signal port 0
3	RF-S1	NC
4	GND	Grond
5	BT_PCM_IN	General Purpose Input/Output Pin



6	BT_PCM_OUT	General Purpose Input/Output Pin
7	BT_PCM_SYNC	General Purpose Input/Output Pin
8	BT_PCM_CLK	General Purpose Input/Output Pin
9	BT_WAKE_HST	Chip wakeup host
10	HST_WAKE_BT	host wakeup Chip
11	VDD33	The power input 3.3V
12	DM	High-Speed USB D- Signal
13	DP	High-Speed USB D+ Signal
14	GND	Grond
15		No attributes
16	WL_DISn	This Pin Can Externally Shutdown the RTL8723DU Radio-off function when WL_DISn is Pulled Low. When this pin is asserted, USB interface will be disabled. This pin also provides Radio-off function with host interface remaining connected.
17	BT_WAKE_HST#	Externally Shutdown the RTL8723DU Radio-off function when BT_WAKE_HST# is Pulled Low. This pin can also provide Radio-off function with host interface remaining connected.
18	N/A	No attributes
19	HST_WAKE_WL	General Purpose Input/Output Pin
20	WL_WAKE_HST	General Purpose Input/Output Pin
21, 22	N/A	No attributes

5. Peripheral Schematic Reference Design

Circuit reference pictures were designed



- Note:
1. Pls reserve a "pi" circuit for impedance matching.
 2. The RF circuit needs to be matched for impedance.
 3. The USB differential pair needs to be matched for impedance.
 4. reserved filter capacitance for the antenna.

6. Mechanical Specifications

PCB Module dimension: Typical (L * W * H): 12.2mm * 12.9mm * 1.36mm Tolerance : +/-0.15mm

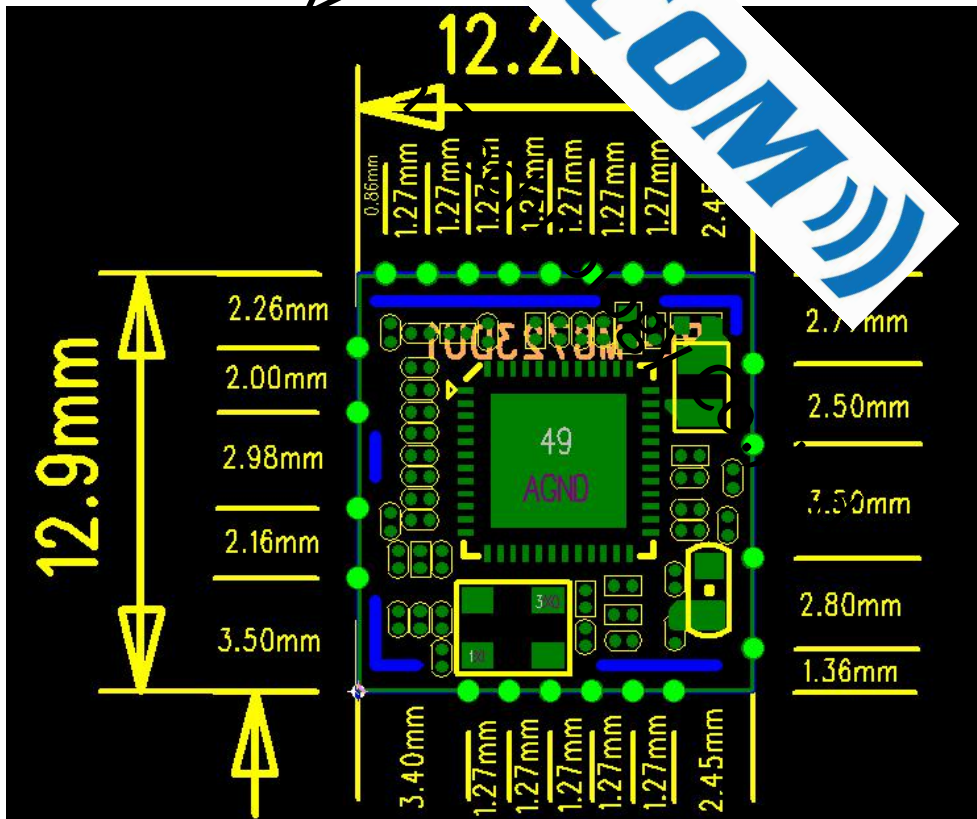
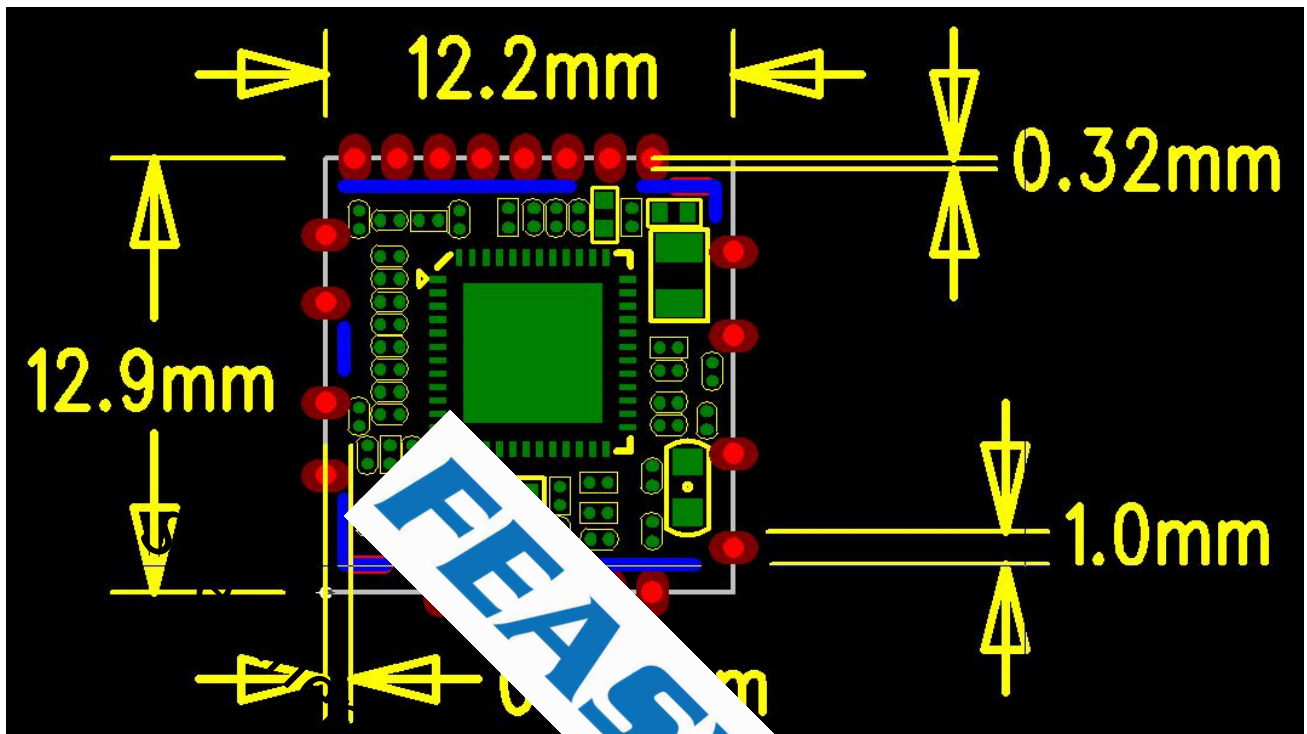


Figure 5



7. Others

7.1 Package Information (Options)



Figure 7 Package Information

7.2 Storage Temperature and Humidity

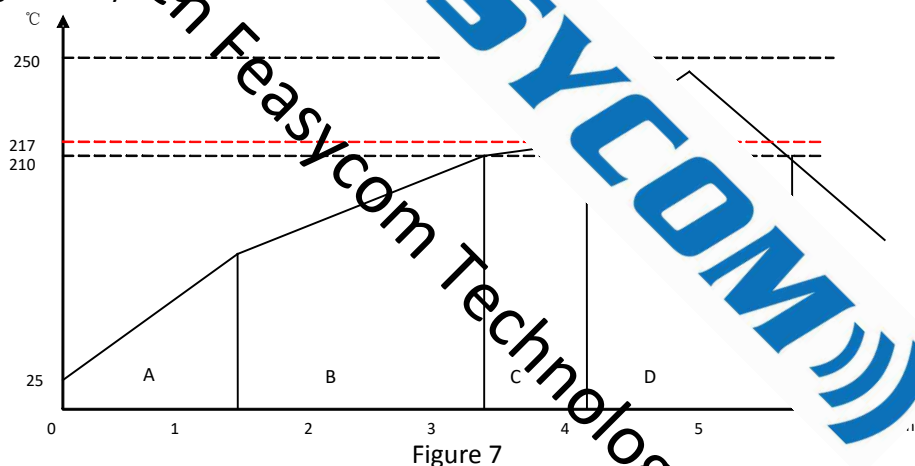
Storage Condition: Moisture barrier bag must be stored under 30°C, humidity under 85% RH.
 The calculated shelf life for the dry packed product shall be a 12 months from the bag seal date.
 Humidity indicator cards must be blue, <30%.

7.3 Reliability test and results

No.	Test Item	Condition	Q'ty	Result
1	High Temperature operating life	+70°C +/-3°C, 96hr, 3.3V	5EA	Pass
2	High Temperature Humidity storage	+60°C +/-3°C, RH95%, 96hr	5EA	Pass
3	Reflow Test	260°C +/-3°C, 2Times	5EA	Pass
4	Thermal Shock Test	0°C +/-3°C <-> +70°C +/-3°C Each 30min, 100cycle	5EA	Pass
5	Vibration	20-2000HZ, 0.053G/HZ or 8g's RMS X,Y,Z Axis Each 30min	5EA	Pass
6	ESD	150pF, 330Ω 5times every 1 sec. +/-1KV(all PIN)	5EA	Pass
7	Drop Test	120cm 12 Times,152cm 19 Times Total 31 Times	5EA	Pass

8. Typical Solder Reflow

The soldering profile depends on various factors, necessitating a set up for each application. The data here is given only for guidance on so.



Pre-heat zone (A) — This zone raises the temperature at a controlled rate, typically 0.5 – 2 °C/s. The purpose of this zone is to preheat the PCB board and components to 120 ~ 150 °C. This stage is required to distribute the heat uniformly to the PCB board and completely remove solvent to reduce the heat shock to components.

Equilibrium Zone 1 (B) — In this stage the flux becomes soft and uniformly encapsulates solder particles and spread over PCB board, preventing them from being re-oxidized. Also with elevation of temperature and liquefaction of flux, each activator and rosin get activated and start eliminating oxide film formed on the surface of each solder particle and PCB board. **The temperature is recommended to be 150° to 210° for 60 to 120 second for this zone.**

Equilibrium Zone 2 (C) (optional) — In order to resolve the upright component issue, it is recommended to keep the temperature in 210 – 217 ° for about 20 to 30 second.

Reflow Zone (D) — The profile in the figure is designed for Sn/Ag3.0/Cu0.5. It can be a reference for other lead-free solder. The peak temperature should be high enough to achieve good wetting but not so high as to cause component discoloration or damage. Excessive soldering time can lead to intermetallic growth which can result in a brittle joint. The recommended peak temperature (Tp) is 230 ~ 250 °C. The soldering time should be 30 to 90 second when the temperature is above 217 °C.

Cooling Zone (E) — The cooling rate should be fast, to keep the solder grains small which

Cooling Zone (E) — The cooling rate should be fast, to keep the solder grains small which will give a longer lasting joint. **Typical cooling rate should be 4 °C.**