

# FeasyBeacon

## FSC-BP111Dx Datasheet



**FEASYCOM**

## 1. Description

FeasyBeacon FSC-BP111Dx is a battery-powered Bluetooth 5.1 Low Energy proximity-beacon, it simultaneously supports iBeacon, Eddystone (e.g. URL, UID, TLM), AltBeacon for broadcasting and provides the ability to advertise up to 10 slots of advertising frames.

With the iOS & Android FeasyBeacon SDK, the developers can take advantage of the flexibility of the SDK and focus on their own applications, such as Broadcast, Proximity Marketing, Digital Signage, Indoor Location, Asset Tracking, Vehicle Tracking, etc. Meanwhile, FeasyBeacon SDK compiled app is available to download from both the iOS and Android platforms (search 'FeasyBeacon' to download).

## 2. Features

- Bluetooth 5.1 Compliant
- Pre-programmed with Feasycom Standard Beacon Firmware
- Up to 10 slots of Advertising Frames
- Portable Small-sized Beacon with 1.5 Year Battery Life (by Default Settings)
- Variety of Additional Components (e.g. G-sensor)
- Configurable by Free FeasyBeacon Mobile App and SDK
- Customizable Color, Logo, Hardware, Software

### 3. Functional Specifications

Item	Description
Advertising Format	Eddystone (URL/ UID/TLM), iBeacon, AltBeacon
Configuring Method	FeasyBeacon SDK compiled app (e.g. FeasyBeacon app)
Advertising Interval	Default 2000 ms, range from 100 ms to 10000 ms, 0ms (When the interval is set to 0, broadcasting will be disabled.)
Security	Access password required, Default Pin Code 000000
Max Number of Broadcast	10 Slots configurable advertising frames
Default Broadcast Interval	2000 ms for iBeacon & Eddystone
System Compatibility	iOS 7.0+, Android 4.3+
Advertising Distance	Up to 200m (open area)
Firmware Upgrading	OTA (upgrade firmware over the air)

### 4. Product Specifications

Item	Description
Chipset	DA14531
Bluetooth Version	Bluetooth 5.1
TX power	-19.5 dBm to + 2.5 dBm
Antenna	PCB Coil antenna
G-Sensor	Optional
Power Supply	CR2016
Battery Life	UP to 1.5 Year (ADV Interval = 2000 ms; TX Power = 0 dBm)
Material	ABS+PC plastic
Color	White or customized
Size	φ29*3.8mm
Net weight	3.4g
Operating temperature	-20°C to +60°C

## 5. Battery Life Estimation

Tx Power (dBm) \ Advertising Interval (ms)	-19.5	-7	-3.5	0	2.5
100	77	64	56	50	44
150	113	92	81	70	60
200	143	113	100	93	78
300	206	161	148	131	116
400	268	214	196	168	152
550	360	290	258	228	198
750	461	374	337	280	265
850	511	448	367	321	288
1000	572	457	456	383	347
1300	644	554	517	460	436
2000	866	794	679	627	590
3000	1008	939	912	801	773
4000	1186	1074	997	959	899
5000	1306	1213	1112	1062	1010
6000	1353	1271	1217	1150	1068
7000	1436	1353	1320	1233	1150
10000	1556	1488	1459	1383	1353

**Notes:** Battery life in **days** when Applying CR2016 (90 mAh).

These values are tested or estimated based on the battery's maximum capacity in a laboratory environment; the battery life might be different in different environments or conditions.

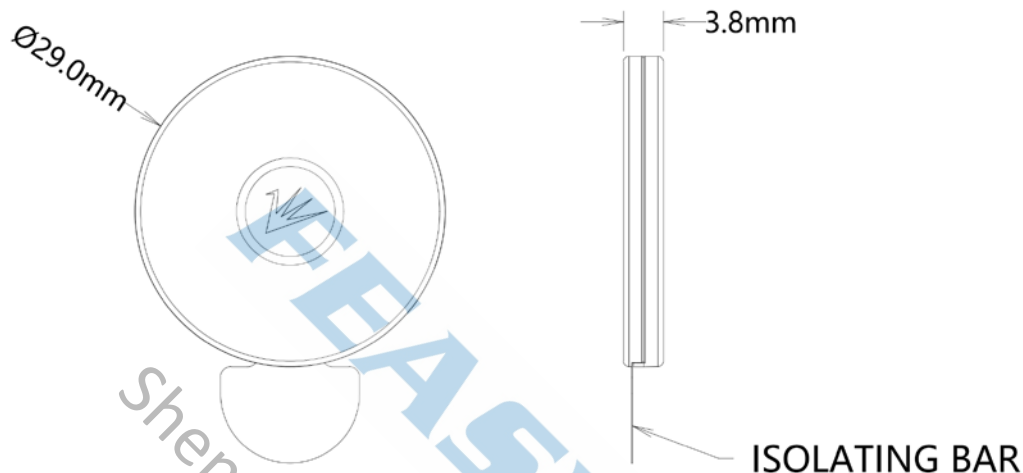
## 6. Configurable Parameters

Parameters in below table are configurable by FeasyBeacon SDK compiled app (e.g. FeasyBeacon app), to download the FeasyBeacon app for free the Google Play App Store or iOS App Store.

Parameter		Description
Device Name		UTF-8 string, Default: FSC-BP111Dx-XXXXXX
Pin Code		Access password to FSC-BP111Dx Default: 000000, Range: 000000 ~ 999999
Advertising Interval		Default: 2000 ms, Range: 100 ~ 10000 ms, 0ms
Key	Temporary short advertising interval	Temporary short advertising interval after button pressed, this feature is useful when the normal advertising interval set to a very long time (which makes it hard to create connection with the beacon), Default: 100 ms, Range: 100~ 10000 ms ,0ms
	Restore Time	The time that temporary short advertising interval taking effect, Default: 35000 ms, Range: 100 ~ 65535 ms
Tx Power		Maximum Tx power: +2.5 dBm Default: 0 dBm, Range: -19.5 ~ 2.5 dBm
Eddystone-URL	URL	URL that needed to be advertising
	RSSI at 0m	A 1-byte value representing the average received signal strength at 0m from the advertiser (FSC-BP111Dx), range: 0 ~ -127
Eddystone-UID	Namespace	10-byte Namespace
	Instance	6-byte Instance
	Reserved	Reserved for future use
	RSSI at 0m	A 1-byte value representing the average received signal strength at 0m from the advertiser (FSC-BP111Dx), range: 0 ~ -127
iBeacon	UUID	16-byte UUID, e.g. FDA50693A4E24FB1AFCFC6EB07647825
	Major	2-byte Major, range: 0 ~ 65535
	Minor	2-byte Minor, range: 0 ~ 65535
	RSSI at 1m	A 1-byte value representing the average received signal strength at 1m from the advertiser (FSC-BP111Dx), range: 0 ~ -127
AltBeacon	ID1	Beacon Identifier 1
	ID2	Beacon Identifier 2
	ID3	Beacon Identifier 3
	RSSI at 1m	A 1-byte value representing the average received signal strength at 1m from the advertiser (FSC-BP111Dx), range: 0 ~ -127

	Manufacturer ID	The beacon device manufacturer's company identifier code
	Manufacturer Reserved	Reserved for use by the manufacturer to implement special features

## 7. Dimensions



Battery Replacement Method:

Remove the plastic case along the bottom case snap, push out the battery and replace it.

## 8. Declaration

The contents of this datasheet are subject to change without prior notice for further improvement. Feasycom team reserves all the rights for the final explanation.

iBeacon is a trademark of Apple Inc., Eddystone is a trademark of Google Inc.

Please contact Feasycom sales team or visit <https://www.feasycom.com/> to get more related information if needed.

## 9. Contact Information

Shenzhen Feasycom Co.,LTD

Address: Rm 508, Building A, Fenghuang Zhigu, No.50, Tiezai Road, Xixiang, Baoan Dist, Shenzhen, 518100, China.

Telephone: 86-755-23062695

Support: [support@feasycom.com](mailto:support@feasycom.com)

Sales Service: [sales01@feasycom.com](mailto:sales01@feasycom.com)

## 10. Revision History

Version	Changes	Author	Data
V1.0	Initial Release	Zoe	2025-10-11
V1.1	Change the default battery life to 1.5 years and update the battery life table.	Zoe	2026-02-27

Shenzhen Feasycom Co., LTD