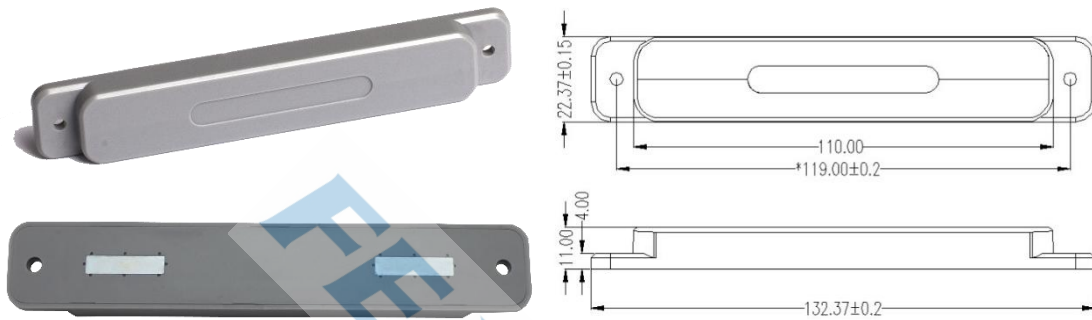


FSC-RT01 Anti-metal Tag

FSC-RT01 anti-metal tag is designed specifically for the complex environment FCC band tag, with a far reading distance, high sensitivity, and excellent physical characteristics.

Especially suitable for all kinds of metal environment, easy to use in the management of metal assets and equipment, gun management, medical device management, logistics and etc. It has excellent performance on metal and non-metal.



Performance Features	
Frequency range:	902 - 928 MHz
Sensitivity:	-17dBm (reading range reach over 10m)
Chip:	Alien H3
Protocol supported:	ISO 18000-6C, EPC global C1Gen2
Function:	Read / Write
Chip Features	
E P C :	96-EPC
Chip memory :	512 User Bits
T I D:	64 bits
Access password:	32 bits
Kill password:	32 bits
Data retention:	10 years
Write endurance:	10,000 cycle
Mechanical Features	
Size:	132mm x 22.4mm x 11mm
Material of shell:	High density PC
Color:	Gray
Weight:	18g
Installation method :	3M adhesive, screw mounting
Protection class:	IP67
Operating Temperature :	-40°C to +85°C
Applications	
Logistics, tobacco, metal rack and metal goods management, gun control, medical equipment management and etc.	