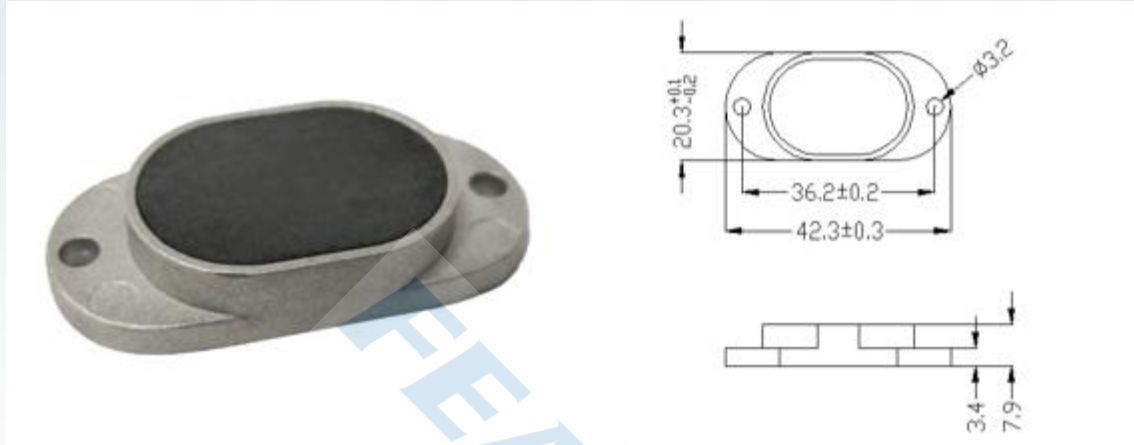


FSC-RT33 High Temperature Tag

FSC-RT33 is specially designed for complex and high-temperature environments such as metals. It has the characteristics of long reading distance, high sensitivity, and easy installation. It is suitable for various metal environments, especially high-temperature environments.



Performance Features

Frequency range:	920~925MHz
Sensitivity:	-8dBm (metal surface)
Chip:	Alien H3
Protocol supported:	ISO 18000-6C, EPC global C1Gen2
Function :	Read / Write

Chip Features

EPC:	96bits-EPC
Chip memory:	512bits User
TID:	64bits
Access password:	32bits
Kill password:	32bits
Data retention:	10 years
Write endurance:	100,000 cycle

Mechanical Features

Size(L x W x H):	42mm x 20mm x 8mm
Material of shell:	High temperature resistant materials / metals
Color:	Black
Weight:	15g
Installation method:	Screws / Rivets

Applications

Protection Class:	IP68
Storage temperature :	-20°C ~ +40°C
Heat resistance :	-40°C ~ +230°C
Applicable occasions :	Metal,High temperature environment